

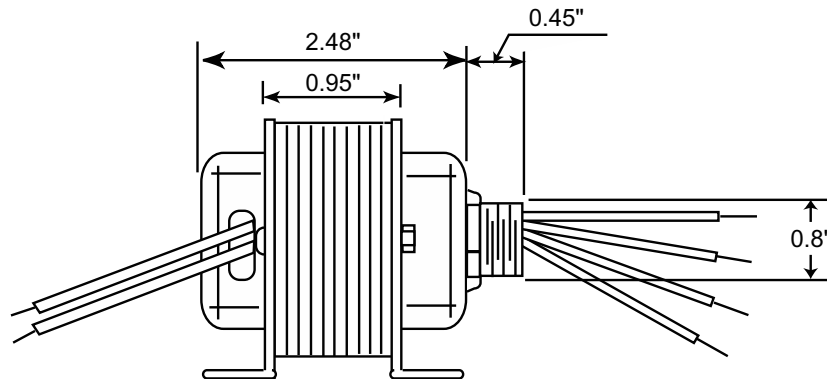
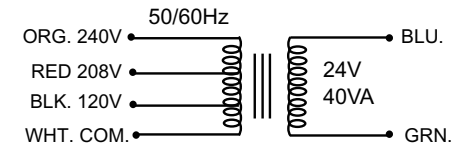
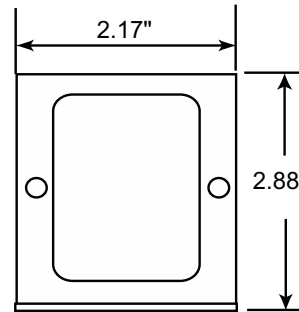
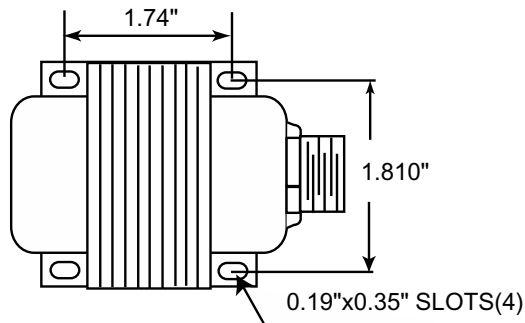
Control Transformer

Specifications subject to change without notice. | USA 061017



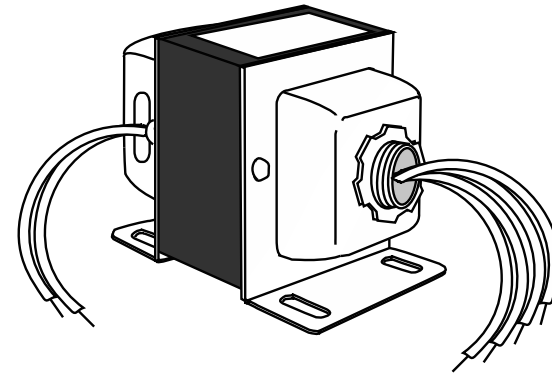
Part Number: **4031MW**
Type: UL1585, Class 2 Transformer
Approvals/Listings: UL Listed, CSA Certified

Rating: 40 VA
Voltage: 120/208/240 VAC : 24 VAC



UL1015#18 LENGTH 8" IN COLOR
"BLUE" & "GREEN"

UL1015#18 LENGTH 8" IN COLOR
"WHITE", "BLACK", "RED" & "ORANGE"



UNIT: inch ± 0.04

