

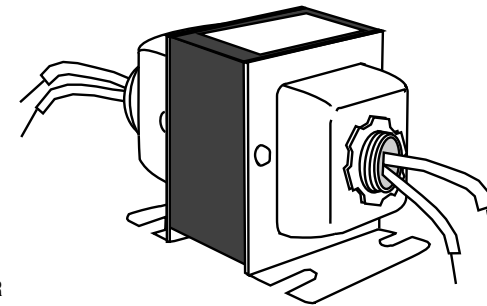
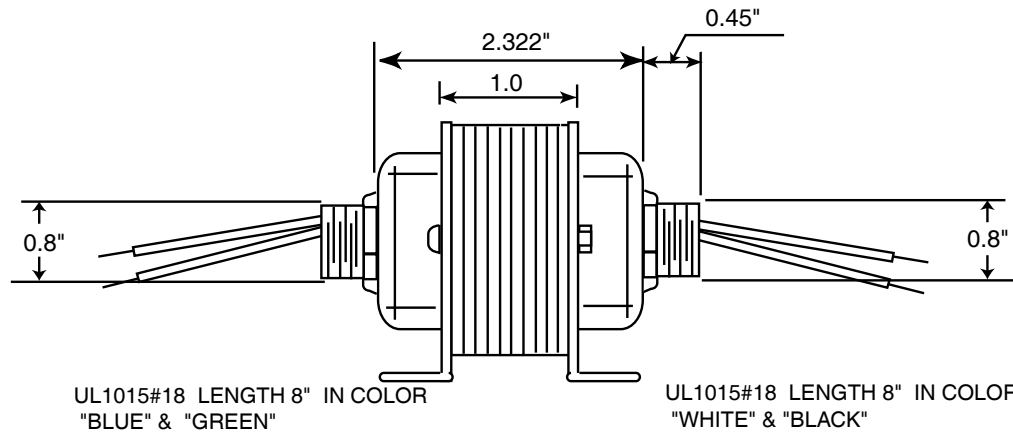
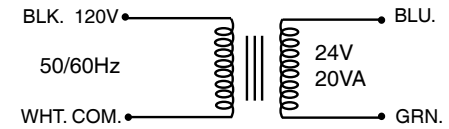
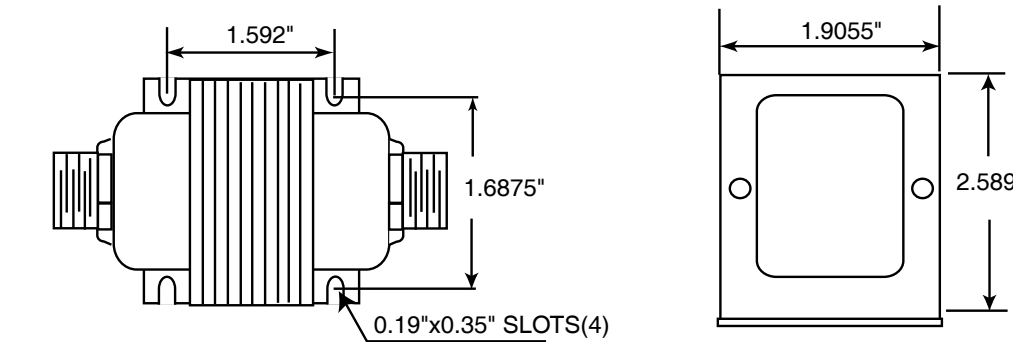
# Control Transformer

Specifications subject to change without notice. | USA 061017



Part Number: **2011MWDH**  
Type: UL1585, Class 2 Transformer  
Approvals/Listings: UL Listed, CSA Certified

Rating: 20 VA  
Voltage: 120 VAC : 24 VAC



UNIT: inch ±0.04

